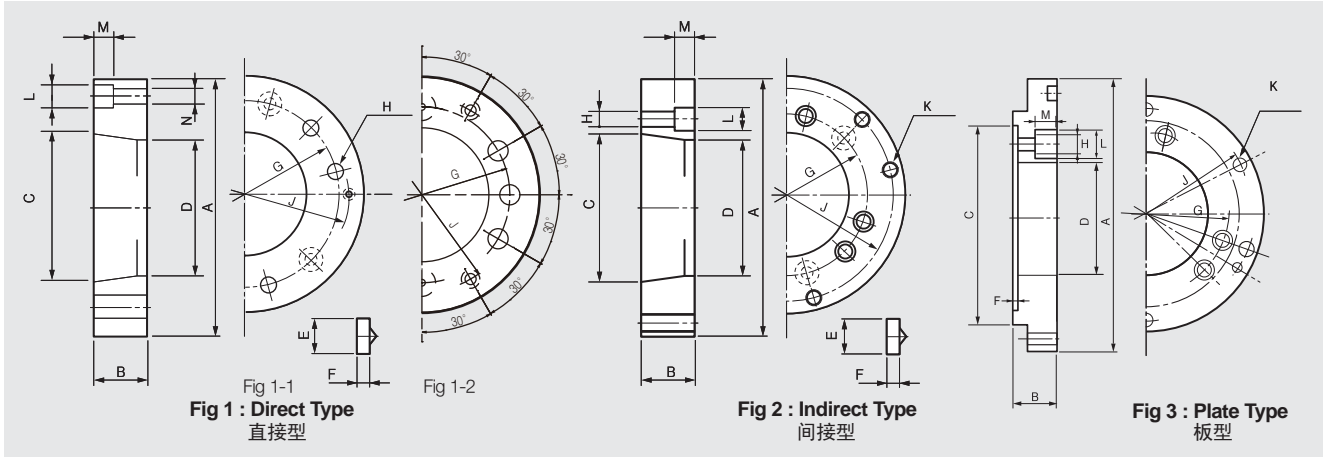


Replacement Accessories

Power Chuck Adaptor Plates / 动力卡盘 安装接盘

Fits ASA B5.9 type A (DIN 55026) Spindles / 安装ASA B5.9 A型(DIN 55026) 心轴



Adaptors Type 1-1

	心轴鼻端 Spindle Nose	A	B	C	D	E	F	G	H	J	K	L	M	N	对应 Corresponding
AP06A05	A2-5	140	15	82.563	79.7	16.3	6.5	104.78	12	116	-	11	7	6.6	HC/HCH/HS/HSL-06, MH-206
AP08A06	A2-6	170	17	106.375	103.0	19.45	6.5	133.35	13.5	150	-	11	7	6.6	HC/HCH/HS/MH/HSL-08, MH-208
APF08A06	A2-6	170	17	106.375	103.0	19.45	6.5	133.35	13.5	150	-	11	7	6.6	HSF/HCHF/HCF/MHF-08
AP10/12A08	A2-8	220	18	139.719	103.0	24.2	8	171.45	17	190	-	14	10	9	HC/HCH/HS/HSL -10, 12, MH-210, 212
AP15/18A11	A2-11	300	22	196.870	192.9	29.36	10	235	21	260	-	17	11	11	MH-212, HC-15, 18 HCH-15
APT15A11	A2-11	300	22	196.870	192.9	29.36	10	235	21	260	-	17	11	11	HCH-15
AP18A11	A2-11	380	22	196.870	192.9	29.36	10	235	21	260	-	17	11	11	HCH-18
AP21/24A15	A2-15	380	27	285.777	250	35.7	10	330.2	24	330.2	-	20	13	14	HC/HCH-21 HC/HCH-24
AP32A15	A2-15	380	33	285.777	220	35.7	10	330.2	26	330.2	-	20	13	14	HC-32

Adaptors Type 1-2

	心轴鼻端 Spindle Nose	A	B	C	D	E	F	G	H	J	K	L	M	N	对应 Corresponding
APT06A05	A2-5	140	15	82.563	79.7	16.3	6.5	104.78	12	116	-	11	7	6.6	HCT/HST/-06
APT08A06	A2-6	170	17	106.375	103.0	19.45	6.5	133.35	13.5	150	-	11	7	6.6	HCT/HST/-06
APT10/12A08	A2-8	220	18	139.719	136.0	24.2	8	171.45	17	190	-	14	10	9	HCT/HST/-10, 12

Adaptors Type 2

	心轴鼻端 Spindle Nose	A	B	C	D	E	F	G	H	J	K	L	M	N	对应 Corresponding
AP06A06	A2-6	140	33	106.375	70	19.45	6.5	133.35	14	104.78	M10	20	18.5	-	HC/HCH/HS-06
AP08A05	A2-5	170	25	82.563	79.7	16.3	6.5	104.78	12	133.35	M12	18	11.5	-	HC/HCH/HS/HCT/HSL HST/-08, MH-208
AP08A08	A2-8	170	30	139.719	103	24.2	8	171.45	18	133.35	M12	26	23	-	HC/HCH/HS-08
AP10/12A06	A2-6	220	25	106.375	103.0	19.45	6.5	133.35	13.5	171.45	M16	20	13.5	-	HC/HS/HCH/HCT/HST/MHF MH/HCF/HSF-10,12
APF10/12A08	A2-8	220	18	139.719	136.0	24.2	8	171.45	18	171.45	M16	26	25	-	HSF-10, HCF-12
AP15A08	A2-8	300	37	139.719	135.46	24.2	8	171.45	18	235	M20	-	-	-	HC/HCH-15
AP21/24A11	A2-11	380	42	197.870	192.9	29.36	10	235	21	330.2	M22	32	21	-	HC-21, 24, HCH-21, 24

Adaptors Type 3

	心轴鼻端 Spindle Nose	A	B	C	D	E	F	G	H	J	K	L	M	N	对应 Corresponding
AP40A20	A2-20	520	48	412.775	270	-	8	330.2	26	463.6	M24	39	25	-	HC-40